



BRI-MAR

TRAILERS

1080 South Main Street • Chambersburg, PA 17201
717.263.6116 • Fax: 717.263.6479

DI-100

OWNER'S MANUAL

- **General Information**
 - **Instructions**
 - **Maintenance**





TABLE OF CONTENTS

Installation Instructions.....	4-5
Installation of Remote Control Cable in Cab of Truck	6
Installation Diagram	7
Wiring Schematic - Pump Assembly	8-9
Main Assembly, Front View.....	10
Main Assembly, Rear View	11
Parts List.....	12
Maintenance and Troubleshooting	13
Warranty	14

When making requests concerning parts and warranty, please have the information below before calling your local dealer.

* Date of purchase _____

* Your dump insert has been provided with a serial number _____

* Place of purchase and address

INSTALLATION INSTRUCTIONS

All dump insert units are shipped with an Installation Kit containing (2) battery cables, installation manual and (4) steel clamps. Please check to make sure all items are on hand before installation. **The installer must provide bolts and plate washers.**

1. Remove tailgate from truck.
2. Hydraulic fluid reservoir is shipped full, but may need to be “topped off.” Before operating, fill hydraulic fluid to 1/2” from top of tank with dumper in down position. Use only Dextron ATF fluid.
3. Connect battery cables provided to hydraulic pump.
4. Slide dumper into truck bed, checking for proper clearance.
 - Rear cross member of dumper frame must not extend beyond truck bed.
 - **Allow 1/2” to 1 1/2” minimum clearance between dumper pump and front wall of truck bed.**
5. Remove shipping straps from the front of the dumper.
6. Secure power cables. Run battery cables to positive and negative terminal of battery.
 - Extreme care should be taken when positioning cables.
 - Keep cables clear of exhaust system and protect at points of rubbing and sharp edges.
 - Do not expose cables below truck frame and prevent from drooping.
 - Keep cables clear of dumper body where it rests on frame.
7. Push unit forward and position dumper properly in truck bed, and using remote unit, raise it.

**CAUTION: TO PREVENT ACCIDENTAL LOWERING,
BLOCK UNIT IN RAISED POSITION
FOR INSTALLATION AND SERVICING**

- Prop is provided for blocking. Do not block under loaded condition.
8. Four clamps are provided for easy installation of your dumper. Set the clamps over the sides of the frame at points B and C (refer to diagram, page 7). **Clamps at location C must be positioned over rear cross member on sub-frame.**
 - Clamps at position C should be placed as close to the hinge points as possible.
 - When possible, use bolt holes provided by front and rear bed bolts. If truck bed is welded, holes must be drilled into frame or cross member.

Do Not Mount To Bed Sheet; Unit Must Be Bolted To Truck Frame Or Cross Member!

- When it is necessary to mount through cross member, reinforce with steel plate washers as illustrated in the installation diagram on page 7 of installation manual.
 - Use minimum of 3/8” bolts with lock washers and shake proof nuts.
 - Bolt unit down.
9. Once unit is bolted down, drill hole through clamps and through dumper sub-frame.
- **Bolt clamp and sub-frame together using proper size bolts and lock-washers (not provided).**
 - Clamps can also be tack welded to dumper sub-frame.
10. Cycle several times. Press the “Up” arrow on the hand control to raise dump bed. Press the “Down” arrow on the hand control to lower the dump bed.
11. Recheck all bolts to make sure unit is secure.
12. Raise unit and block up using prop rod.
- Unplug Remote cord and hand control from the pump.
 - Mount hand control in cab of truck, following instructions on page 6 of the instruction manual.
 - **Remote Control Box Must Be Mounted In Cab Of Truck. Unit Is Not Waterproof And Extended Exposure To Moisture Will Cause Damage to Control.**

Your dump insert unit is now ready for use, please read notice below before operating equipment.

DANGER OPERATOR WARNING

DO NOT LOAD OVER 6000 POUNDS ON VEHICLE. DUMP INSERT AND CARGO MUST NOT EXCEED MANUFACTURERS GROSS VEHICLE WEIGHT RATING.

PRIOR TO SERVICING UNIT INSURE SAFETY PROP IS SECURE.

DO NOT PLACE ANY PART OF YOUR BODY UNDER DUMP UNIT WITHOUT SAFETY PROP BEING SECURED.

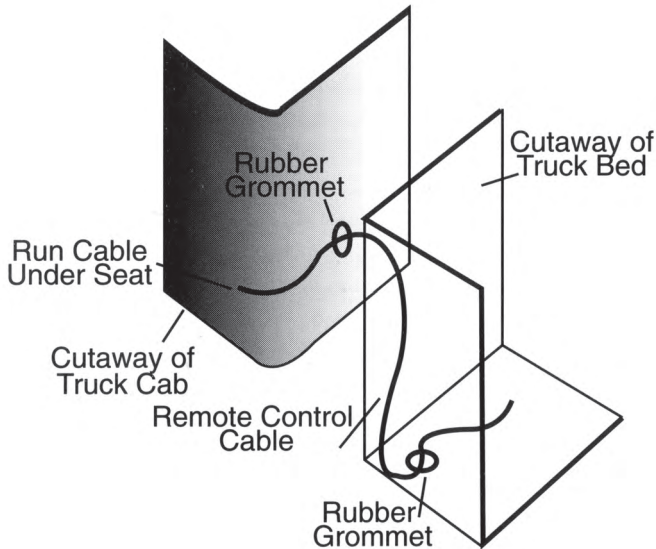
DO NOT ATTEMPT TO SECURE PROP OR BLOCK DUMP BODY UNDER LOADED CONDITIONS.

INSURE AT ALL TIMES THAT LOCKING MECHANISMS FOR TAILGATE ARE PROPERLY ENGAGED.

DURING OPERATION OF DUMP INSERT, KEEP ALL BODY PARTS CLEAR OF MECHANICAL OPERATING DEVICES, STRUCTURAL SUPPORTS AND FASTENING SYSTEM.

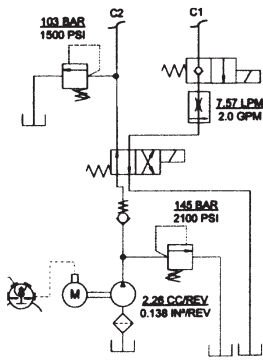
FAILURE TO ADHERE TO THE MANUFACTURERS PUBLISHED WARNINGS COULD RESULT IN LOSS OF CONTROL, SEVERE PERSONAL INJURY OR DEATH.

INSTALLATION OF REMOTE CONTROL CABLE IN CAB OR TRUCK

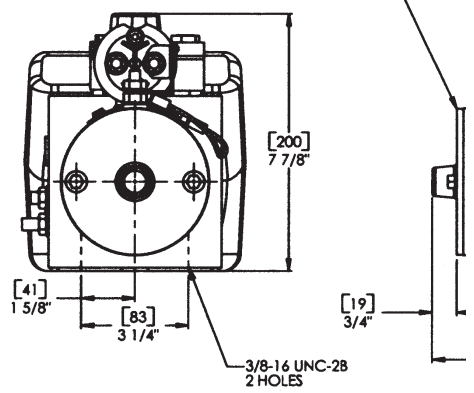
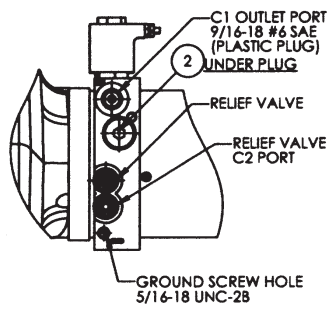
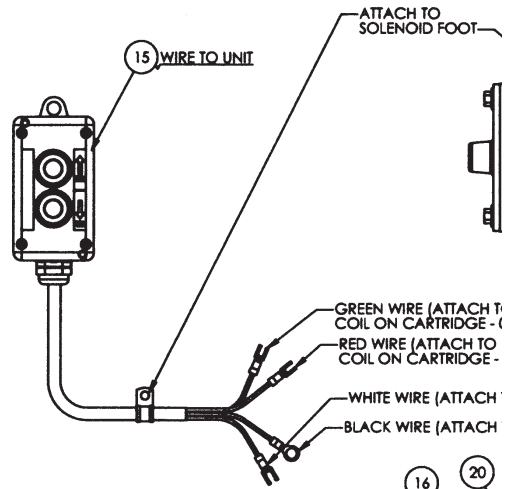


Drill either 13/16 or 3/4 inch holes through truck bed and through cab of truck behind seat. Place remote control on transmission hump in cab and run end of cable under seat and through drilled hole in cab. Slide rubber grommet over end of cable and seat it in the cab hole. Thread cable under bed and up through hole in bed to interior bed. Slide the second rubber grommet over end of cable and seat in bed hole. Connect remote control cable to pump as per enclosed wiring diagram. Seal rubber grommet and cable through the hole in cab of truck with silicone (not provided) to prevent moisture from entering cab.

**Remote Control Is Not Water Resistant
Do Not Submerge**

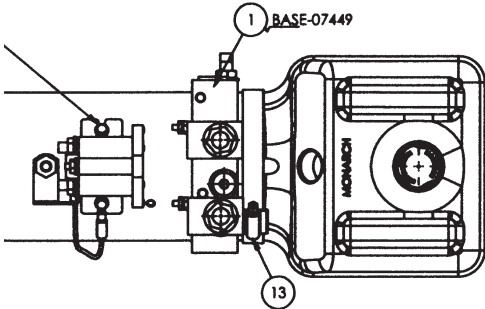


HYDRAULIC SCHEMATIC



(E)

NOTE:
1. SHIP BREATHER PLUG INSTALLED IN RESERVOIR.

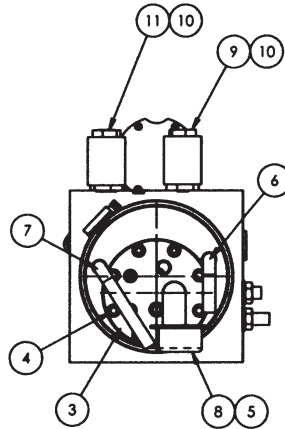
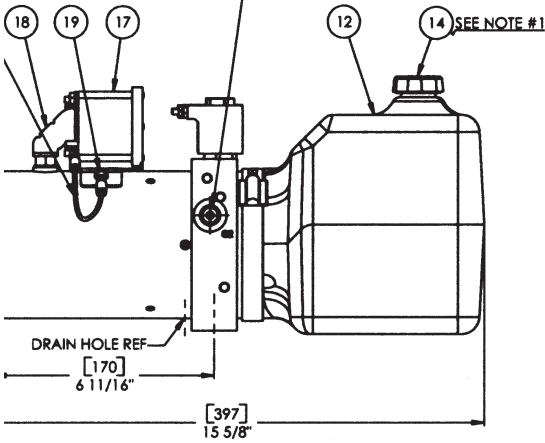


0
00455-D)

07193-D)

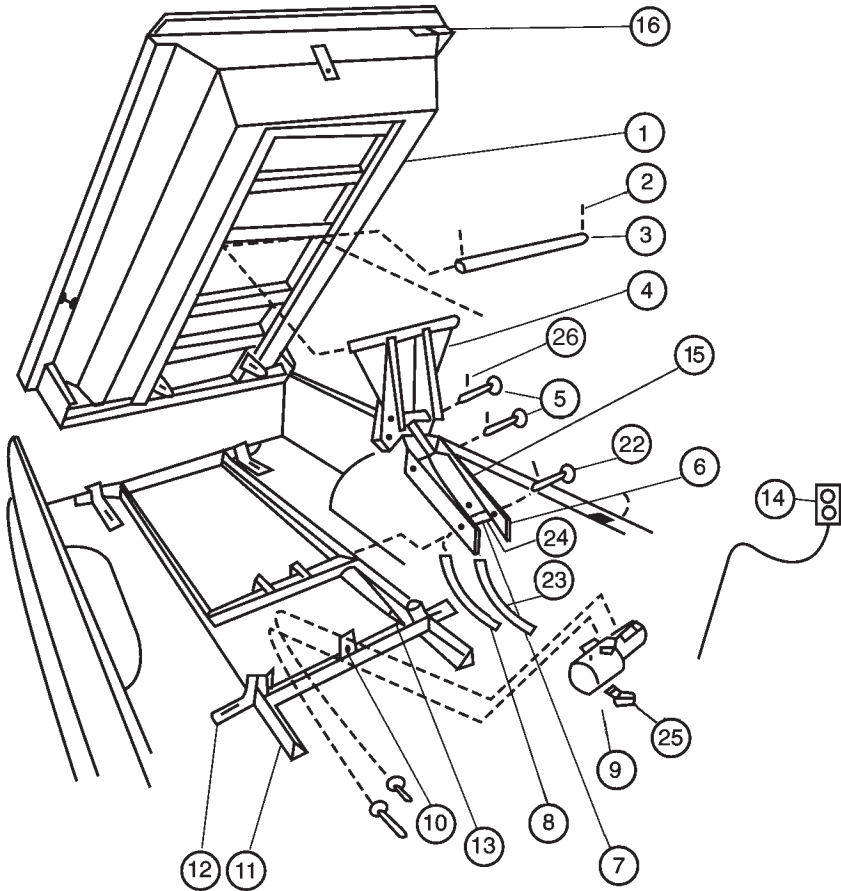
TO SOLENOID START POST)
TO SOLENOID BATTERY POST)

C2 OUTLET PORT
9/16-18 #6 SAE
(PLASTIC PLUG)

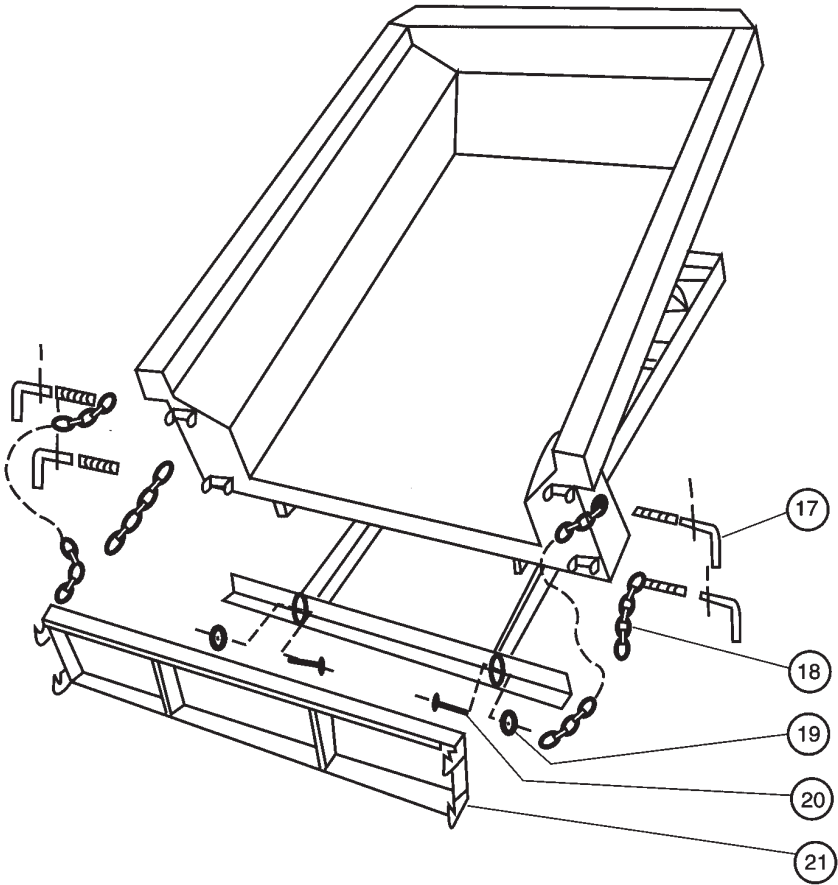


VIEW SHOWN WITHOUT RESERVOIR

MAIN ASSEMBLY FRONT VIEW



MAIN ASSEMBLY REAR VIEW



BRI-MAR DI-100 PARTS

1	-	405-065	Dumper Body - Box Only
2	-	106-001	Roll Pin 1/4" x 2"
3	-	323-040	Cylinder Cross Pin, 1-1/8" x 29.63"
4	-	405-057	Hoist
5	-	100-054	HHCS 1-8 x 11 GR8
6	-	405-112	Support Link
7	-	120-053	Hydraulic Cylinder Double Acting
8	-	120-014	Hydraulic Hose Assembly 68"
9	-	120-032	Double Acting Hydraulic Pump/Motor
10	-	360-323	Pump Mtg. Brkt.
11	-	405-061	Bottom Frame
12	-	405-070	Hold Down Clamp
13	-	405-060	Safety Support
14	-	500-012	Remote for Double Acting Pump
15	-	120-002	Hose Fitting
16	-		Serial Number
17	-	109-022	Spring Handle Assembly
18	-	108-011	Tailgate Chain
19	-	102-018	5/8" Nylon Lock Nut
20	-	100-047	Shoulder Bolt 5/8" x 2 1/2"
21	-	405-064	Dumper Tailgate
22	-	100-055	HCS 1-8x9" GR8
23	-	120-048	Hydraulic Hose Assembly 3/8" x 56" NPT
24	-	120-049	JIC Adapter 3/8" NPT
25	-	120-038	3/8" Orb Male/NPT Frame 90° Swivel Fitting
26	-	102-010	1" Lock Nut

MAINTENANCE AND TROUBLESHOOTING

Call an authorized dealer for exchange or service parts.

To keep your DI-0100 in top operating condition, follow these simple maintenance procedures:

1. If it squeaks, grease it.
2. Do not operate when low on hydraulic fluid.
3. Keep service area clean.

Hydraulic Pump

If malfunction of the power unit should occur, inspect all hydraulic lines and electrical connections, and check for good ground. Many malfunctions are caused by loose connections. Check the reservoir for proper fluid level (approximately 1/2" from top of tank when dumper is down). If fluid must be added, use clean Dextron ATF. Please keep in mind servicing this unit that the most common cause of system failure is dirt! Keep service area clean.

1. If unit does not operate at all: malfunction is due to switch, solenoid, motor, dead battery, corroded terminals or bad connections at the pump motor package.
2. If unit operates slowly and/or with low pressure: malfunction is due to a leaking relief valve, clogged filter, worn pump, corroded or bad battery terminals or hydraulic fluid that is too heavy.
3. If unit is unable to hold pressure, malfunction is due to a leaking relief valve.

Note: *In most cases a leaking relief valve is caused by dirt. This can often be corrected by unscrewing relief valve and cleaning thoroughly.*

WARRANTY

Bri-mar Manufacturing, LLC, warrants each trailer to be free from defects in material and workmanship for a period of (24) months to the original purchaser from date of purchase, or (30) months from date of manufacture, which ever expires first, under normal wear and rated load capacity.

Bri-mar Manufacturing, LLC, warrants its paint finish to be free from defects as a result of improper surface preparation and application for a period of (12) months to the original purchaser from date of purchase, or (24) months from date of manufacture, which ever expires first, excluding normal wear.

Extended warranty is given to the frame structure on all Heavy Duty trailers. This includes: frame rail, crossmembers, tongue and tongue brace for a period of five (5) years from date of original purchase.

All auxiliary parts, axle assemblies, brake systems, wheels, tires, light systems, hitch couplers, jacks, power units, cylinders, or other accessories or purchased parts are covered by the warranty of the original manufacturer.

The warranty does not cover: normal wear, lack of maintenance, misapplication of use, abuse or negligence, overloading in excess of GVWR on vin sticker, unauthorized modifications and repairs, altered electrical systems, accidents, towing and transportation costs, loss of time and use, damage to towing vehicle, or customer dissatisfaction.

Bri-mar Manufacturing, LLC reserves the right to make changes in design and specifications at any time, without incurring any obligation to owners of trailers previously sold.

This warranty is in lieu of all other warranties, guarantees of agreements, whether expressed or implied, and no other person, agent, dealer, or company is authorized to change, modify, or extend its terms in any manner whatsoever.

BRI-MAR MANUFACTURING, LLC
1080 South Main Street
Chambersburg, PA 17201
PH 717-263-6116 • Fax 717-263-6479
www.bri-mar.com sales@bri-mar.com

DANGER

OPERATOR WARNING

DO NOT LOAD OVER 6000 POUNDS ON VEHICLE. DUMP INSERT AND CARGO MUST NOT EXCEED MANUFACTURERS GROSS VEHICLE WEIGHT RATING.

PRIOR TO SERVICING UNIT INSURE SAFETY PROP IS SECURE. DO NOT PLACE ANY PART OF YOUR BODY UNDER DUMP UNIT WITHOUT SAFETY PROP BEING SECURED.

DO NOT ATTEMPT TO SECURE PROP OR BLOCK DUMP BODY UNDER LOADED CONDITIONS.

INSURE AT ALL TIMES THAT LOCKING MECHANISMS FOR TAILGATE ARE PROPERLY ENGAGED.

DURING OPERATION OF DUMP INSERT, KEEP ALL BODY PARTS CLEAR OF MECHANICAL OPERATING DEVICES, STRUCTURAL SUPPORTS AND FASTENING SYSTEM.

FAILURE TO ADHERE TO THE MANUFACTURERS PUBLISHED WARNINGS COULD RESULT IN LOSS OF CONTROL, SEVERE PERSONAL INJURY OR DEATH.



BRI-MAR

TRAILERS

**1080 South Main Street
Chambersburg, PA 17201**