

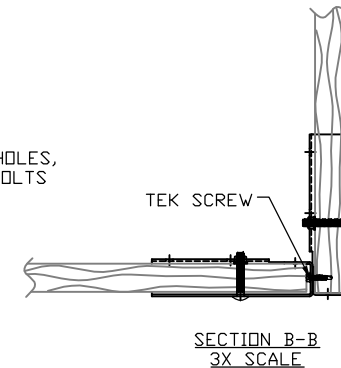
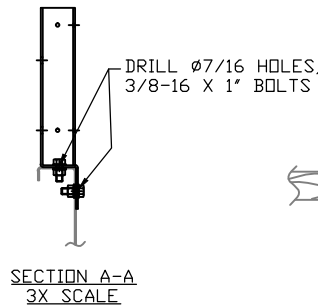
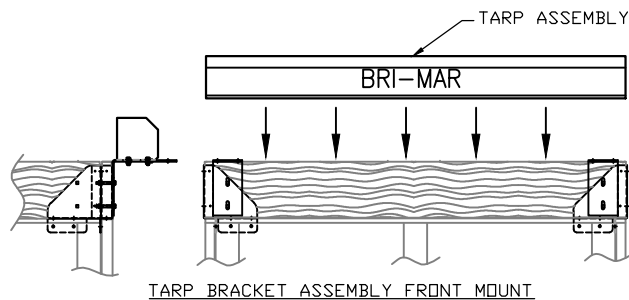
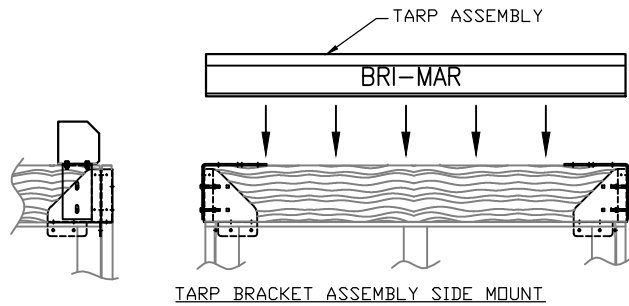
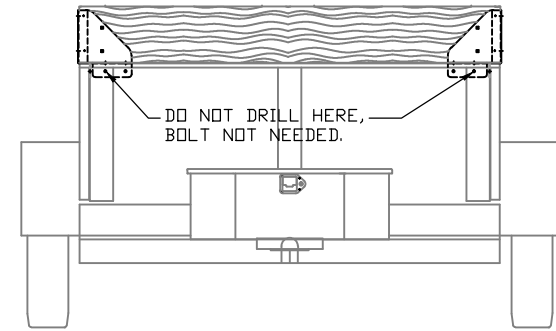
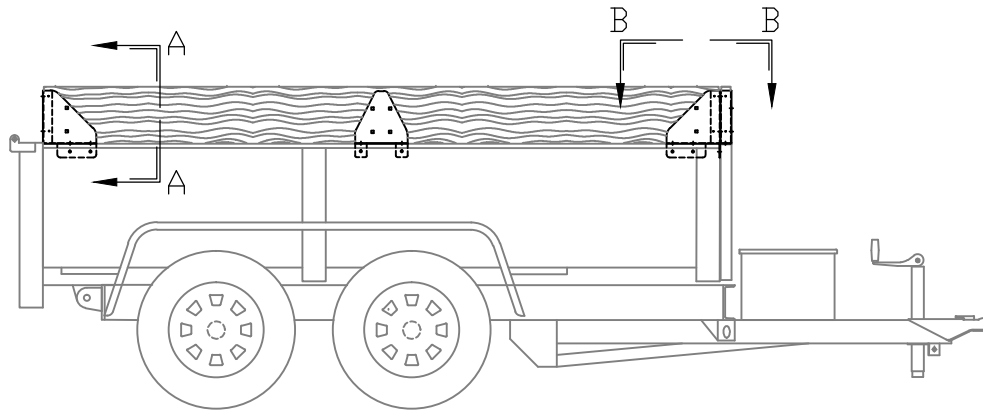
BOARD GUSSET INSTALLATION

1. POSITION GUSSETS APPROXIMATELY AS SHOWN.
2. MARK HOLES ON TOP & SIDE OF PANEL. DRILL $\varnothing\frac{7}{16}$ " HOLES. SEE SECTION A-A.
3. USE 3/8-16 X 1" LG BOLTS, FLAT WASHERS, & LOCK NUTS TO FASTEN GUSSETS TO THE TRAILER.
4. AT THE FRONT OF THE TRAILER, PLACE THE BOARD INTO THE FRONT GUSSETS. TEK SCREW THROUGH THE SIDE GUSSETS INTO THE FRONT GUSSETS AND THROUGH THE FRONT BOARD. SEE SECTION B-B.
5. PLACE THE SIDE BOARDS IN THE GUSSETS ON THE SIDE OF THE TRAILER.
6. DRILL $\varnothing\frac{7}{16}$ " HOLES THROUGH ALL OF THE SIDE GUSSETS. USE 3/8-16 X 2 1/2" LG CARRIAGE BOLT, WASHERS, AND LOCK NUT TO FASTEN BOARDS TO THE GUSSETS.

TARP BRACKET INSTALLATION

- NOTE:** BRACKETS CAN INSTALL AT SIDE OR FRONT OF BOARD GUSSETS
1. BE SURE THE BOARDS ARE SECURED IN THE BOARD GUSSETS.
 2. DRILL $\varnothing\frac{7}{16}$ " HOLES THROUGH THE WOOD USING THE SQUARE HOLES IN THE BOARD GUSSET BRACKET.
 3. USE 3/8-16 X 3" LG BOLTS, WASHERS AND LOCK NUTS TO ATTACH TARP BRACKETS TO BOARD GUSSETS.
 4. USE 3/8-16 X 1" LG BOLTS, WASHERS, & LOCK NUTS TO FASTEN TARP ASSEMBLY TO THE TARP BRACKETS.

BILL OF MATERIAL			
ITEM	DESCRIPTION	QTY.	PART NO.
1	BOARD GUSSET END, LH	3	T105122
2	BOARD GUSSET END, RH	3	T105123
3	BOARD GUSSET MID	2	T105124
4	TARP MOUNT BRACKET	2	T105126
5	3/8-16 X 2-1/2" CARRIAGE BOLT	16	T800523
6	3/8-16 X 3" HHCS	4	T800544
7	3/8-16 X 1" HHCS	32	T800526
8	3/8-16 NYLOCK HEX NUT	52	T800112
9	3/8 FLAT WASHER	104	T800303
10	#14-14 X 1-1/2 TEK SCREW	4	T800540



				BRI-MAR Manufacturing, LLC.		TITLE BOARD GUSSET KIT	
				1002 Wayne Ave. Chambersburg, PA 17201		MODEL ALL DUMP TRAILERS	
REV		ECN	DATE	APP	SCALE 1:32		DWG SIZE A
B		MODIFIED FOR NEW GUSSET DESIGN	05/09/16	TWC	DRAWN BY / DATE DMB 11/2/06		DWG / PART NO 152-100
A		ADD TARP BRKTS ERN-886	2/28/13	DMB	APPROVED BY / DATE DMB 11/2/06		
				BRI-MAR Manufacturing, LLC.		SCALE 1:32	
				1002 Wayne Ave. Chambersburg, PA 17201		DWG / PART NO 152-100	
				APPROVED BY / DATE DMB 11/2/06			